

Fluid control valve(2/2 way)

2KSA Series (Internally piloted and normally opened)



Specification

Model\Item	Port size [Note1]	Orifice size (Φmm)	Cv	Valid area or section (mm ²)	Weight [Note2](g)	Operating pressure differential		Proof pressure	
						MPa	psi	MPa	psi
2KSA150-15	1/2"	15.0	5.50	100.0	575	Max: 0.7 Min: 0.05	Max: 100 Min: 10	1.5	220
2KSA200-20	3/4"	20.0	9.50	170.0	735				
2KSA250-25	1"	25.0	12.50	220.0	1035				

[Note1] G thread is available.

[Note2] The weight in the table is the terminal valve's weight,
Grommet valve's weight is 10g less than terminal's.

Specification of coil

Valve type	Coil type	Power type	Frequency (Hz)	Voltage range	Electrical entry	Power Consumption (VA/W)	Insulation	Temp. rise(°C)
2KSA150	CDA110	AC	50	± 15%	Terminal (CDA)	15.0VA	Class F	50
2KSA200			60			11.0VA		40
2KSA250	CLA110	DC	-	± 10%	Grommet (CLA)	6.5W		30

Symbol



Product feature

1. Indirect acting (Internal pilot) and normally opened type 2/2 way fluid valve. Its can change direction quickly and has large flow.
2. It is compact, small and light weight. Easy to install and dismantle;
3. The valve body is made of SUS304 . The coil has a Heat resistance classification of Class F. The standard seal material is FPM-F. Please contact us if other seal material are required.
4. The protection class of the coil is IP65 and there is a choice for grommet or terminal electrical entry .

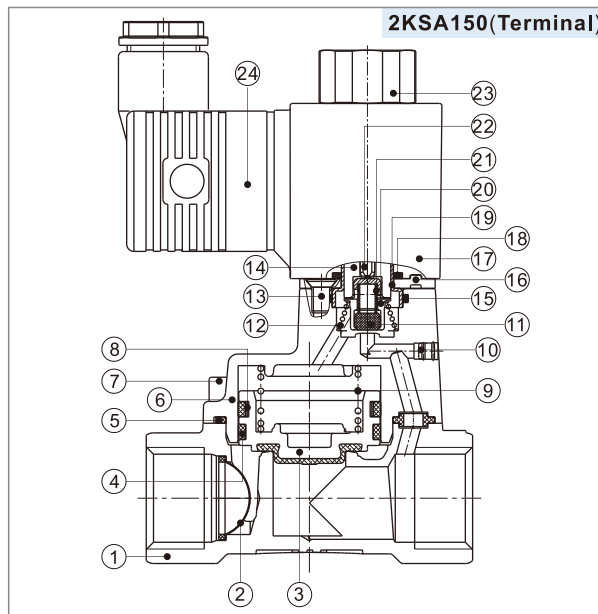
Valve's specification

Acting	Internally piloted				
	Initial state	Normally opened			
Adaptable fluid	Air, Water, Oil				
Viscosity limit	Under 20CST				
Ambient and fluid temperature (°C)		Water	Air	Oil	Ambient
	Max.	80	90	80	70
	Min.	1	-20 [Note1]	-10 [Note2]	-20

[Note1] Dew point: -20(°C) or less ;

[Note2] 50CST or less.

Inner structure



No.	Item
1	Body
2	Filter
3	Piston
4	Wear ring
5	O-ring
6	Cover
7	Screw
8	Spring
9	Spring
10	Spacer
11	Airtight ring
12	Spring
13	Screw
14	Movable core
15	O-ring
16	Fixed plate
17	Coil assembly
18	O-ring
19	Coil axis
20	Airtight ring
21	Spring
22	Man drill
23	Coil nut
24	Connector

Ordering code

Ordering code of valves

2KSA 150 15 A □ G

① ② ③ ④ ⑤ ⑥

① Model	② Orifice size	③ Port size	④ Voltage	⑤ Electrical entry	⑥ Thread type
2KSA: 2/2 way internally piloted and normally opened	150: Φ15mm	15: 1/2"	A: AC220V B: DC24V C: AC110V E: AC24V F: DC12V	Blank: Terminal I: Grommet [Note]	G: G
	200: Φ20mm	20: 3/4"			
	250: Φ25mm	25: 1"			

[Note] The wire length is 0.5m.

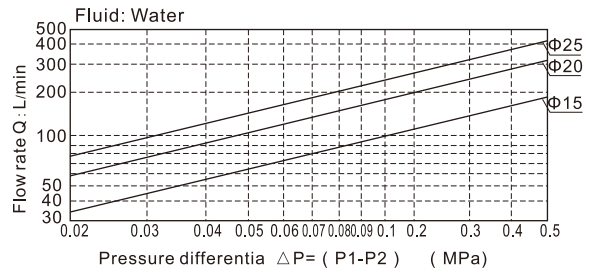
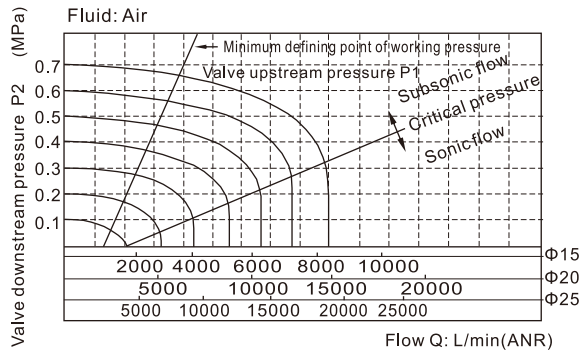
Ordering code of accessories

Ordering code of accessories is the same as 2WA series valve's, Please refer to P11 for details of ordering code.

Fluid control valve(2/2 way)

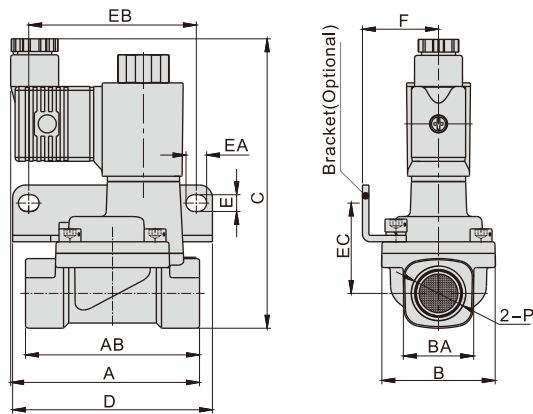
2KSA Series (Internally piloted and normally opened)

Flow chart

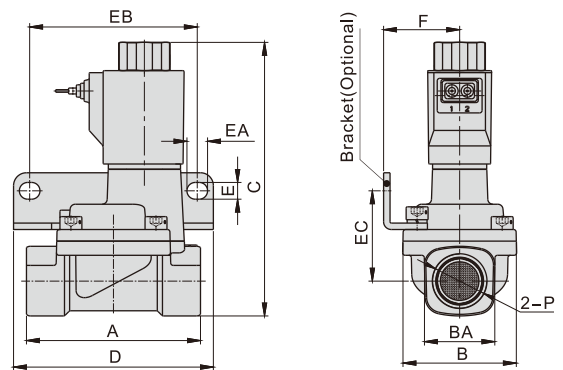


Dimensions

Terminal



Grommet



Model\Item	A	AB	B	BA	C	D	E	EA	EB	EC	F	P
2KSA150-15	73.5	67.5	44	27.5	112	77.5	6.5	8	65	35	29.5	1/2"
2KSA200-20	75.5	79.5	51	33.5	119	87.5	6.5	8	75	38	33	3/4"
2KSA250-25	77.5	90	57	40.5	126	93	6.5	8	80	42	35	1"

Model\Item	A	B	BA	C	D	E	EA	EB	EC	F	P
2KSA150-15	67.5	44	27.5	109	77.5	6.5	8	65	35	29.5	1/2"
2KSA200-20	79.5	51	33.5	116	87.5	6.5	8	75	38	33	3/4"
2KSA250-25	90	57	40.5	123	93	6.5	8	80	42	35	1"